

## ANGLE IRON LINTELS

Angle Iron Lintels are used to support masonry over window, door and other types of openings in brick veneer. All South Atlantic stock angles are produced from only domestic steel.

When ordering specify both X and Y dimensions as well as A (thickness) and B (length).

### Available In:

Prime painted, bare, or hot-dip galvanized steel. Stock sizes are available from 3" x 3" x 3/16" to 6" x 4" x 3/8" Other sizes are available upon request.

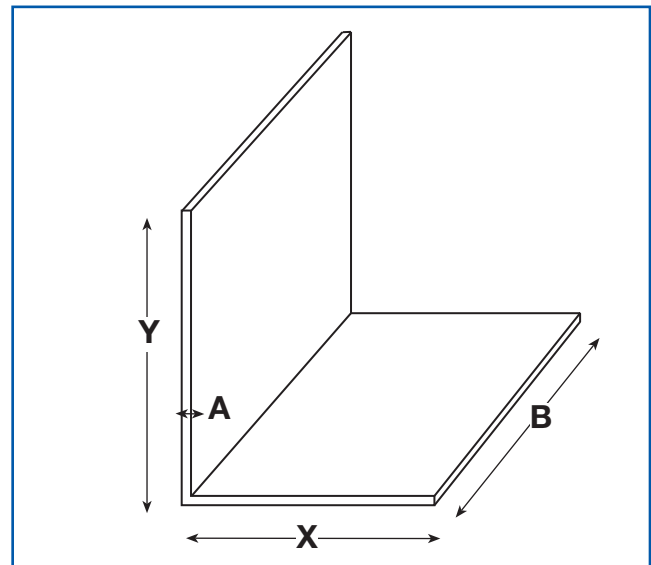
### Installation:

Designed for installation per the Brick Institute of America Technical Notes 31B and per the 2006 International Residential Code, Section R703.7.1 and 2.

9/16" holes, 16" OC are standard in the larger angle for securing to the structure. Other size holes and dispersion available on request.

### Maintenance:

South Atlantic recommends hot-dip galvanized angle lintels for maintenance free performance. Bare and primed lintels should be painted after installation with a finish coat. Galvanized Lintels should be inspected for damage to the coating after installation and the galvanizing repaired as necessary. Periodic repainting and galvanizing touch ups should be planned as part of any normal building maintenance program.



### Steel Specifications:

A36/A529GR50 test reports are available upon request.

### Coating Specifications:

Galvanized: ASTM A123/A123M-09  
Painted coating: Shop coat of redoxide utility primer NCP Coatings (N-8668-500)

lintels@southatlanticllc.com  
www.southatlanticlintels.com